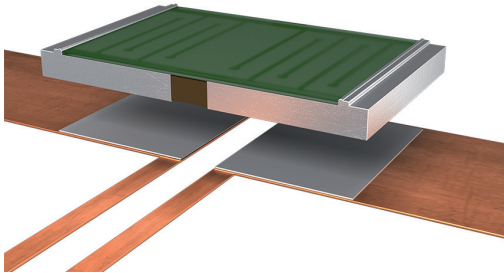


## ISA-PLAN® // PRECISION RESISTORS

### SMS-PW // Size 2512



#### Features

- 2 W permanent power at 120 °C
- Constant current up to 25 A (5 mOhm)
- Excellent long-term stability
- High pulse power rating
- Mounting: Reflow-, and IR-soldering
- *Detail specification ESCC 4001/027*
- SnPb tinned terminals

#### Applications

- Aerospace



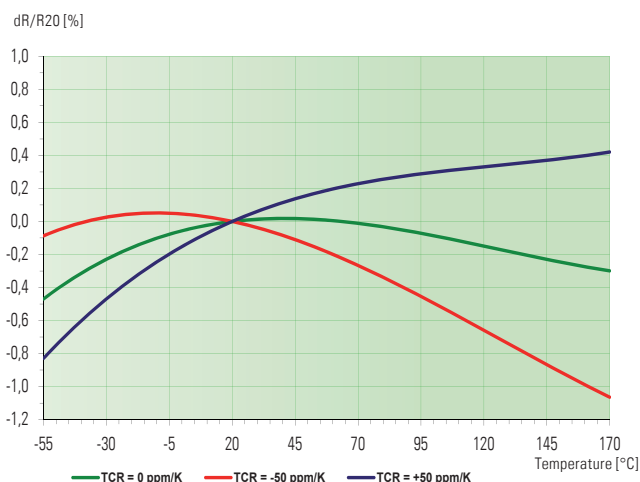
#### Technical data

Resistance values	<b>Ohm</b>	0.003 to 1 *	
Tolerance	<b>%</b>	0.5 / 1 *	
Temperature coefficient	<b>ppm/K</b>	<b>&lt;10 mOhm</b>	<b>≥10 mOhm</b>
-55 °C to +22 °C		-140, +0	-100, +0
+22 °C to +170 °C		±100	±60
+22 °C to +60 °C		±100	±50
Applicable temperature range	<b>°C</b>	-55 to +170	
Power rating	<b>W</b>	2	
Stability (nominal load) deviation after 2000h, acc. to ESCC Generic Specification		±0.2% (T <sub>K</sub> =120 °C)	

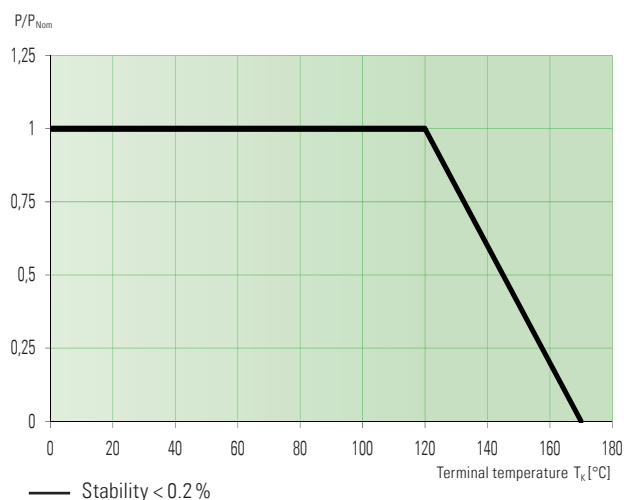
\* For detailed information see table on page 2

T<sub>K</sub> = terminal temperature

#### Temperature dependence of the electrical resistance of MANGANIN® resistors at +22 °C to +60 °C



#### Power derating curve





## SMS-PW // Size 2512

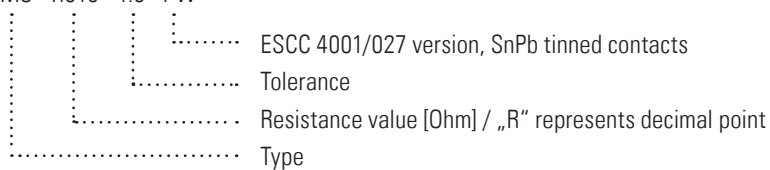
### Available standard resistance values and tolerances \*

Ordering code	ESCC component number	Ordering code	ESCC component number
SMS-R005-1.0-PW	400102705R005F	SMS-R100-0.5-PW	400102702R100D
SMS-R008-0.5-PW	400102705R008D	SMS-R100-1.0-PW	400102702R100F
SMS-R010-0.5-PW	400102702R010D	SMS-R120-1.0-PW	400102702R120F
SMS-R010-1.0-PW	400102702R010F	SMS-R150-1.0-PW	400102702R150F
SMS-R015-0.5-PW	400102702R015D	SMS-R180-1.0-PW	400102702R180F
SMS-R015-1.0-PW	400102702R015F	SMS-R200-1.0-PW	400102702R200F
SMS-R020-1.0-PW	400102702R020F	SMS-R220-0.5-PW	400102702R220D
SMS-R022-1.0-PW	400102702R022F	SMS-R220-1.0-PW	400102702R220F
SMS-R027-1.0-PW	400102702R027F	SMS-R330-0.5-PW	400102702R330D
SMS-R033-0.5-PW	400102702R033D	SMS-R330-1.0-PW	400102702R330F
SMS-R033-1.0-PW	400102702R033F	SMS-R390-1.0-PW	400102702R390F
SMS-R040-1.0-PW	400102702R040F	SMS-R470-1.0-PW	400102702R470F
SMS-R047-1.0-PW	400102702R047F	SMS-R500-1.0-PW	400102702R500F
SMS-R050-0.5-PW	400102702R050D	SMS-R560-1.0-PW	400102702R560F
SMS-R050-1.0-PW	400102702R050F	SMS-R680-0.5-PW	400102702R680D
SMS-R056-1.0-PW	400102702R056F	SMS-R680-1.0-PW	400102702R680F
SMS-R068-0.5-PW	400102702R068D	SMS-1R00-0.5-PW	4001027021R00D
SMS-R068-1.0-PW	400102702R068F	SMS-1R00-1.0-PW	4001027021R00F
SMS-R082-0.5-PW	400102702R082D		

\* other resistance values on request

### Ordering code

SMS - R010 - 1.0 - PW





## SMS-PW // Size 2512

### Recommended solder profile

Reflow- and IR-soldering				
Temperature	°C	260	255	217
Time	sec	peak	40	90

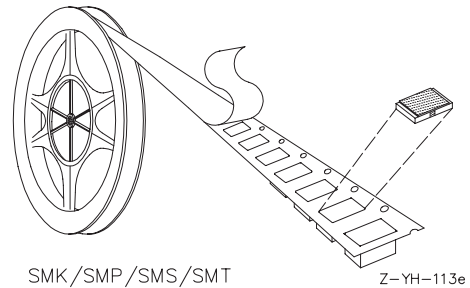
### Packaging information

Specification	DIN EN 60286-3			
Tape width	mm	12		
Reel size	inch	13		

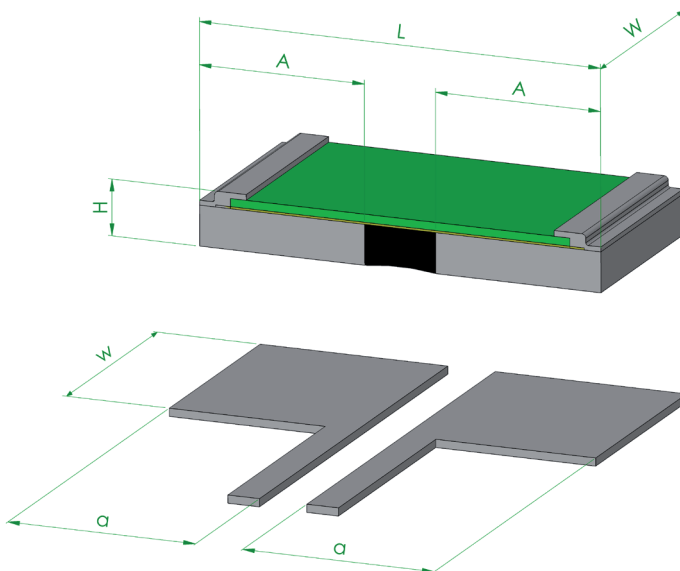
### Form of delivery

Tape	pcs	up to 500		
Tape and reel	pcs	>500		

Slight deformations during soldering do not affect technical properties of the component.



### Mechanical dimensions and pcb-layout proposal (Reflow-soldering) [mm] // Z-YE-660a



type:	L	W	H	A
SMS	6.35 ±0.2	3.05 ±0.1	0.8 ±0.2	2.725 ±0.4

solder pad type:	l	w	a
SMS	6.8	3.5	3.1

**Disclaimer** // All products, product specifications and data are subject to change without notice.

The product specifications do not expand or otherwise modify Isabellenhütte's terms and conditions of sale, including but not limited to, the warranty expressed therein. Isabellenhütte makes no warranty, representation or guarantee other than as set forth in its terms and conditions of sale.

Information provided in datasheets and/or specifications may vary from actual results in different applications. Any statements made by Isabellenhütte regarding the suitability of products for certain types of applications are based on its knowledge of typical requirements that are often placed on its products. It is the customer's responsibility to validate that a particular product with the properties described in the product specification is suitable for use in the application intended.

No license, express or implied, or otherwise, to any intellectual property rights is granted by this document. Any and all liability arising out of the application or use of any product shall be as set forth in Isabellenhütte's terms and conditions of sale.

